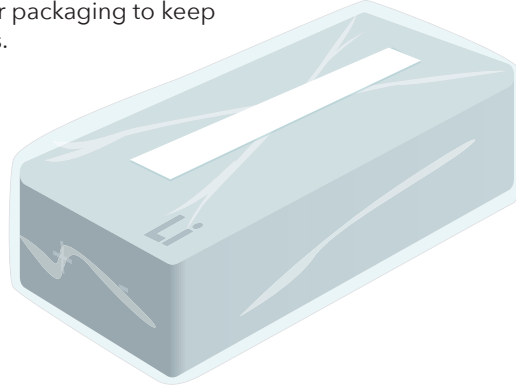


CellBlock 4B Aluminum Case

Suitable for small, medium and large format batteries.

Enclose items in a poly bag or other inner packaging to keep free of loose-fill and protect the terminals.



ASSEMBLY DETAILS:

ALUMINUM CASE: 4B OUTER PACKAGING

PRODUCT NO:

CBSTC052

For Groups:

I II III
X Y Z



4B/X400/S//USA/M6484**

*** Denotes month and year of manufacture

Up to a Gross Package Weight of:

400 kg
882 lbs.

Maximum Permitted Weight of Contents:

306 kg
674 lbs.

(Product, containers & CellBlockEX loose-fill and/or fire suppression pillows)

External Dimensions:

1346 x 747 x 820mm
53" x 29.4" x 32.3"h

Internal Dimensions:

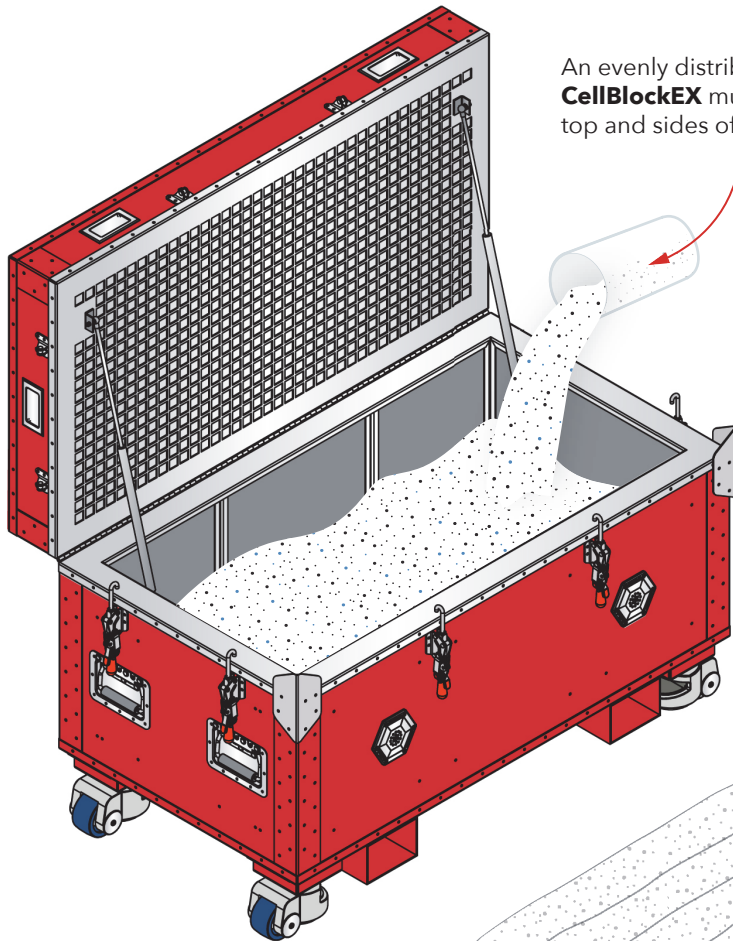
1189 x 597 x 470 mm
46.8" x 23.5" x 18.5"h



NOTES: SEE Special PACKAGING DETAILS and other information on reverse.

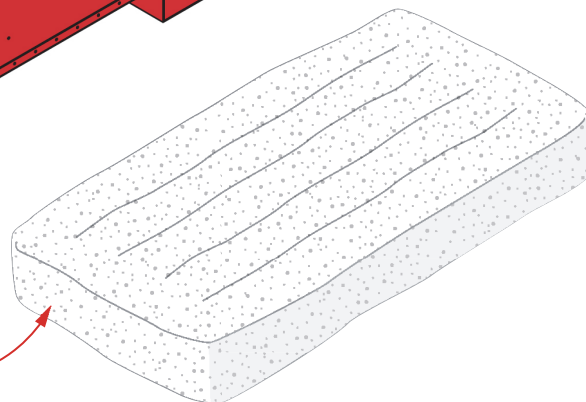


CellBlockEX is Required as an insulative cushioning filler of remaining available space and is available as loose-fill and in fire-suppression pillows.




An evenly distributed layer of **CellBlockEX** must cover the bottom, top and sides of the packing spaces.

CellBlockEX reusable fire-suppression pillows may be used as an alternative or in addition to loose-fill.

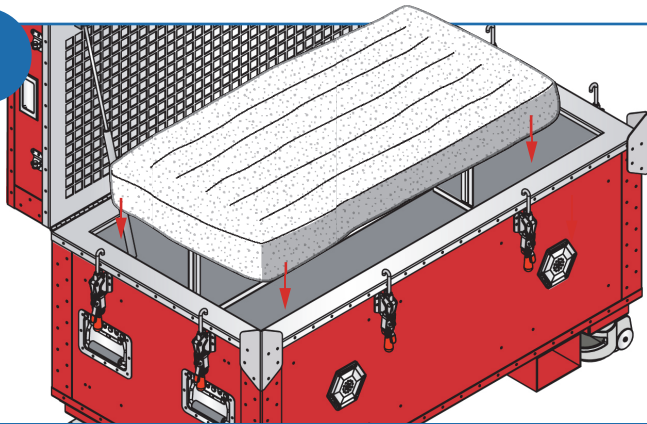


CBST052INSV1.032824

CellBlock 4B Aluminum Case using CellBlockEX Pillows

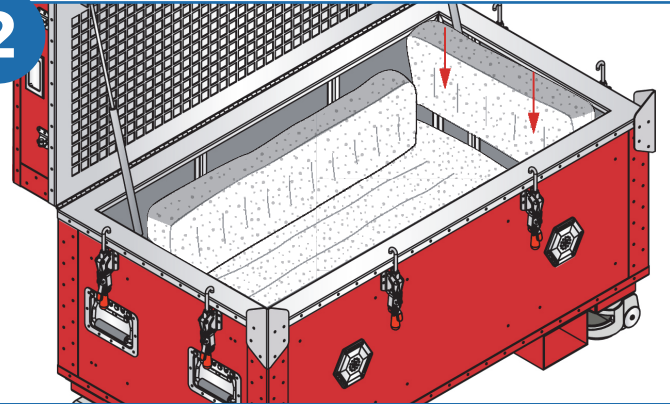
 Fire-suppression pillows provide a convenient means of shipping or storing single large format batteries.

1



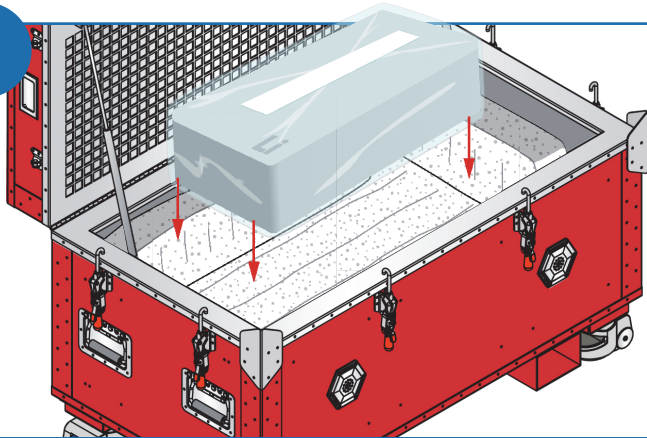
Install bottom fire-suppression pillow.

2



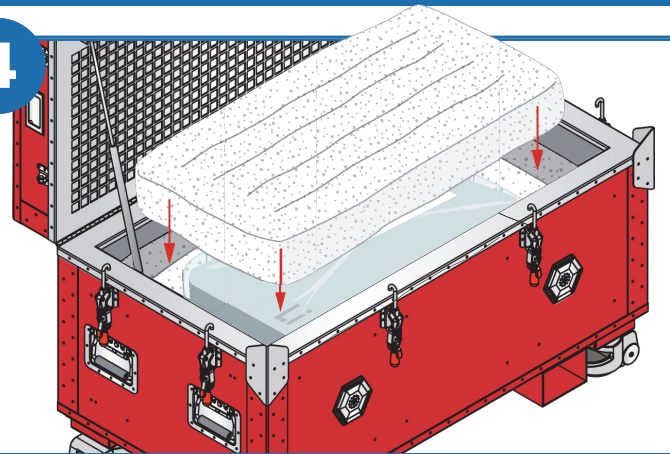
Install fire-suppression pillow on sides and ends by lowering into case.

3



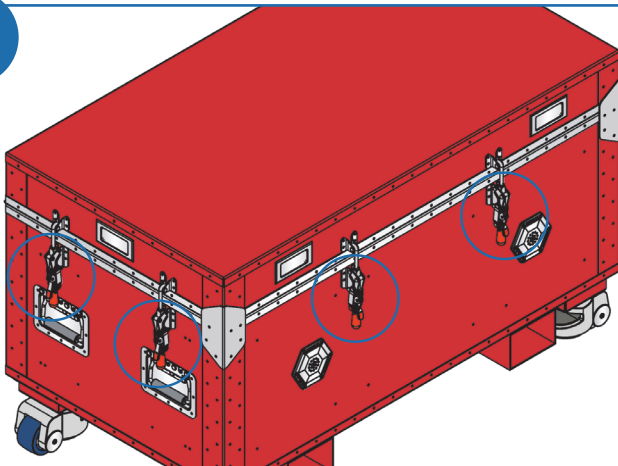
Enclose large format battery in a poly bag to keep free of loose-fill. Place large format battery in center of case. Take care not to tear the burn-away fabric.

4



Install top pillow.

5



Close and securely latch case



It is the shippers responsibility to ensure appropriate regulations governing the transportation of dangerous goods are strictly followed.

Our aluminum case is a special 4B outer packaging approved under UN Test criteria which allows transport of non-specified inner containers and their contents up to a stated maximum weight.

In aluminum 4B/X400 the maximum permitted weight of the inner containers and their product contents must not exceed 266 kilograms, whilst the gross package weight must not exceed 400 kilograms.

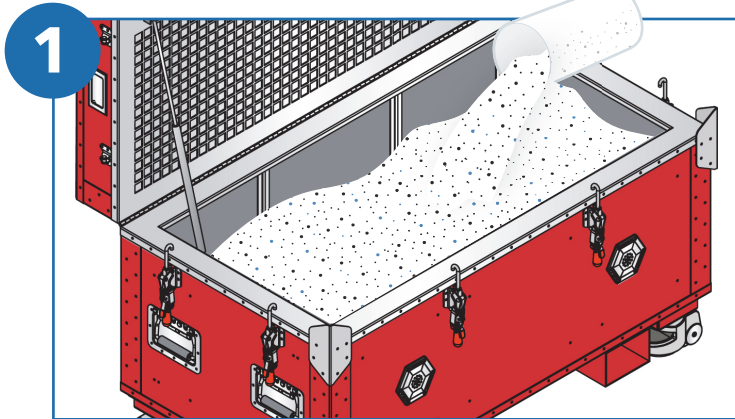
Aluminum 4B/X400 must be packed strictly as instructed and is then approved for the transportation of Packing Groups I, II, III, (X, Y, Z) Dangerous Goods.

CLASS 1 EXPLOSIVES OR CLASS 7 RADIOACTIVES MUST NOT BE PACKED IN THIS BOX.

CBST052INSV1.032824

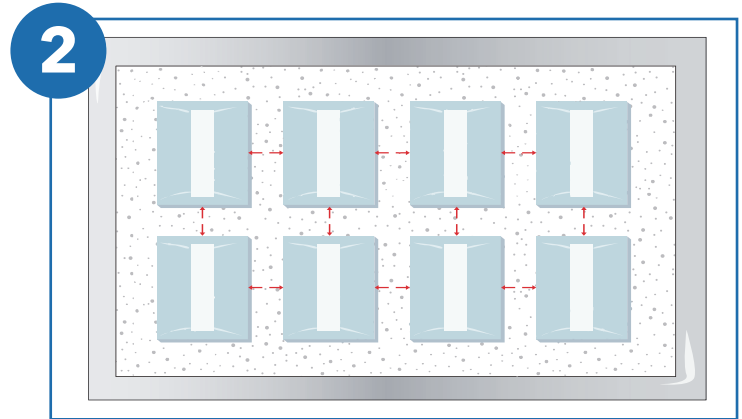
CellBlock 4B Aluminum Case using CellBlockEX Loose-fill

i The use of CellBlockEX loose-fill allows for numerous batteries to be shipped or stored in one container.



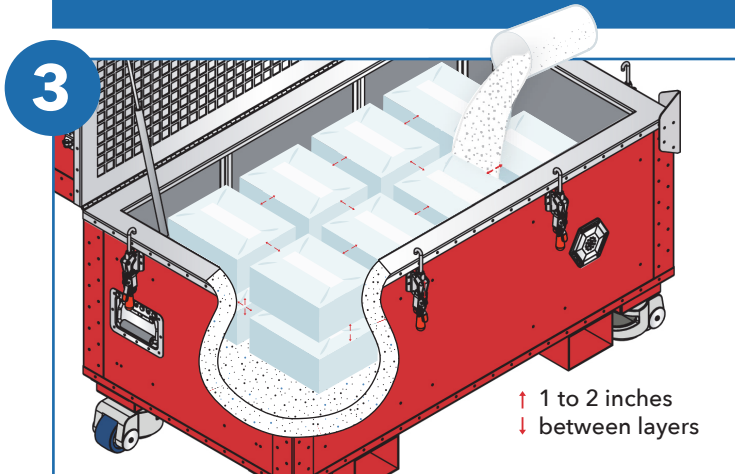
1

Pour 2 to 4 inches of CellBlockEX loose-fill into the bottom of the case.



2

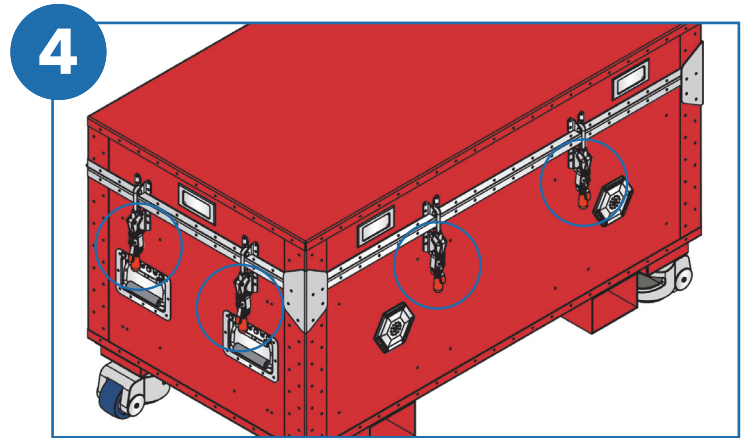
Place batteries in the case, taking care to ensure proper spacing between articles. Top each layer with 1 to 2 inches of CellBlockEX loose-fill.



3

Continue layering CellBlockEX loose-fill and batteries in the case. Finish by pouring loose-fill to within an inch of the top of the case.

↑ 1 to 2 inches
↓ between layers



4

Close and securely latch case

⚠ It is the shippers responsibility to ensure appropriate regulations governing the transportation of dangerous goods are strictly followed.

Our aluminum case is a special 4B outer packaging approved under UN Test criteria which allows transport of non-specified inner containers and their contents up to a stated maximum weight.

In aluminum 4B/X400 the maximum permitted weight of the inner containers and their product contents must not exceed 266 kilograms, whilst the gross package weight must not exceed 400 kilograms.

Aluminum 4B/X400 must be packed strictly as instructed and is then approved for the transportation of Packing Groups I, II, III, (X, Y, Z) Dangerous Goods.

CLASS 1 EXPLOSIVES OR CLASS 7 RADIOACTIVES MUST NOT BE PACKED IN THIS BOX.

CBST052INSV1.032824