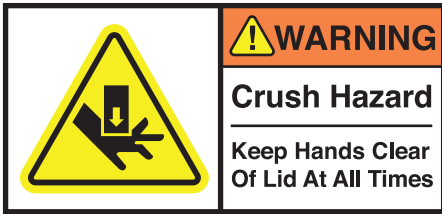
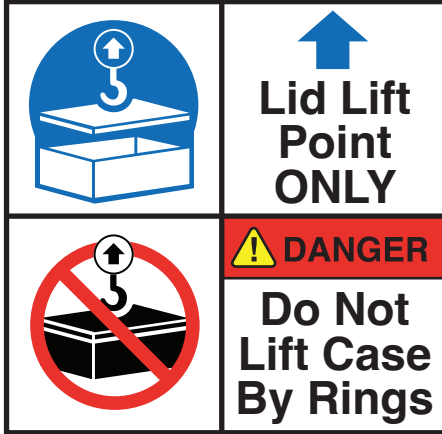


Lid and Case Handling Precautions

LID LIFT

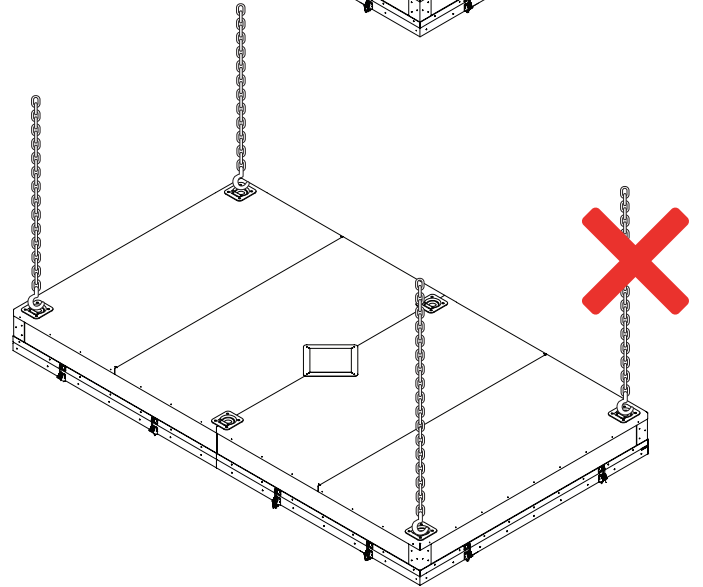
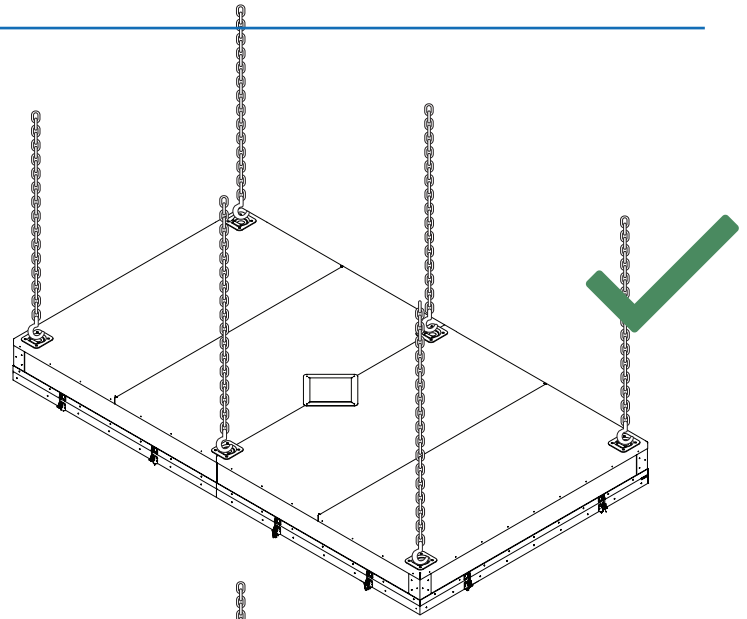


Obey all warning labels.

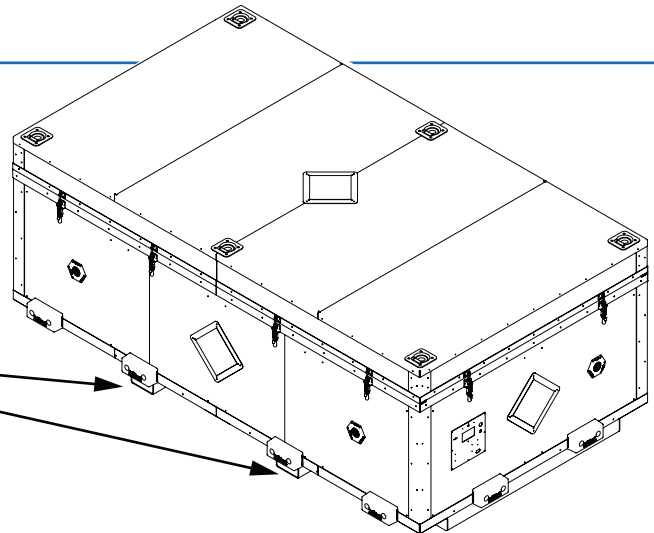
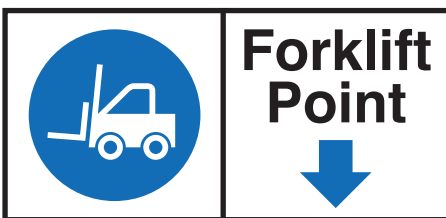
Use ALL 6 lift rings to remove lid. Confirm chain rating allows you to lift safely.

DO NOT lift case by the lid rings.

Keep hands clear of lid at all times



CASE LIFT



Confirm your forklift's weight rating allows you to lift safely. Use provided fork lift guides as indicated with label above.

CBSTC14078INSv1.022724