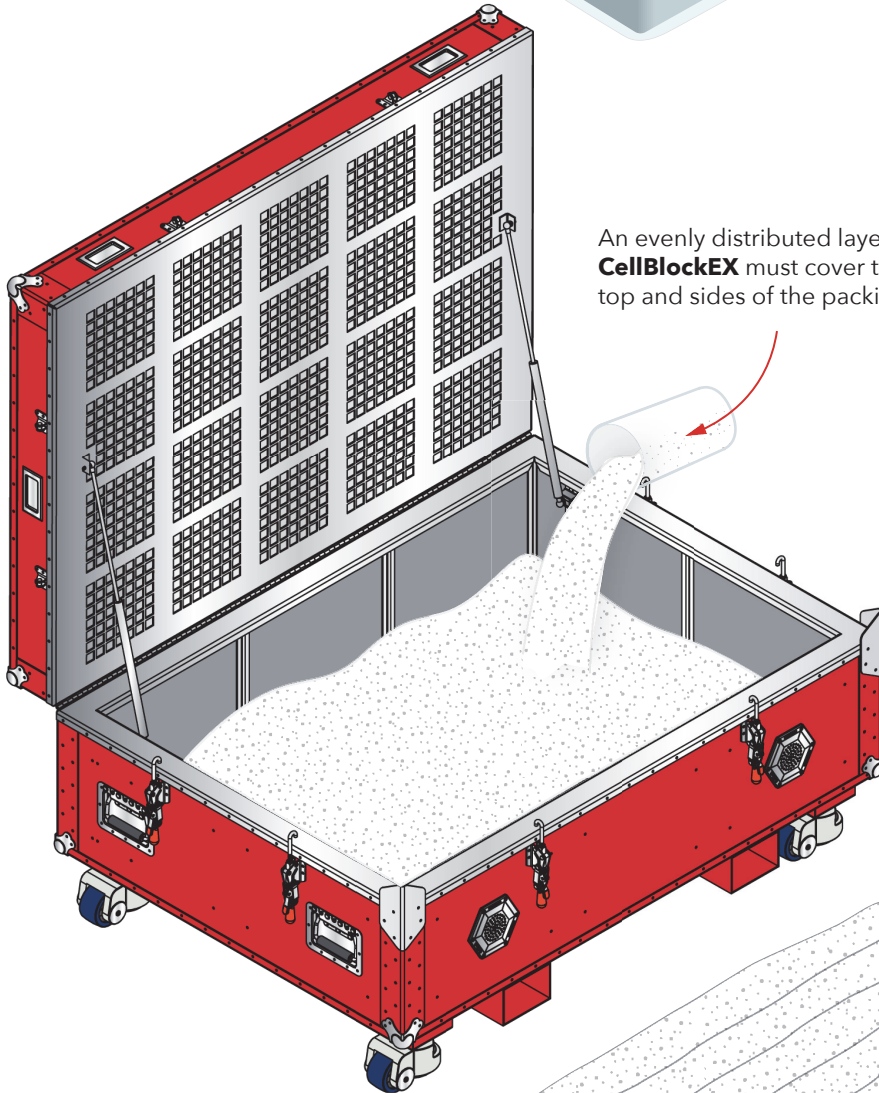
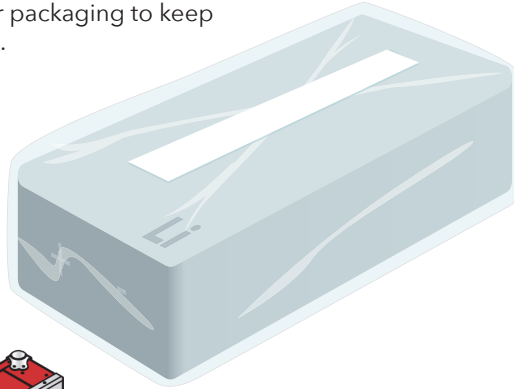


# CellBlock 50B Aluminum Case

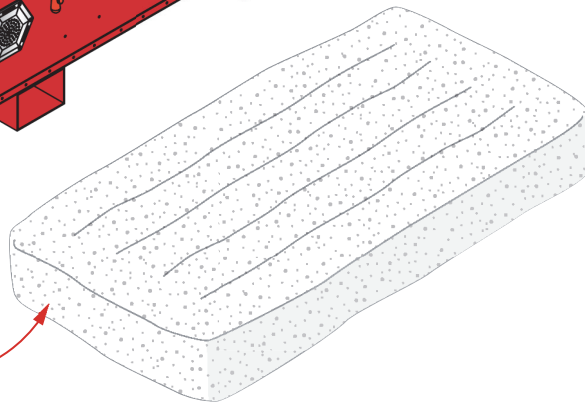
## Suitable for small, medium and large format batteries.

Enclose items in a poly bag or other inner packaging to keep free of loose-fill and protect the terminals.



An evenly distributed layer of **CellBlockEX** must cover the bottom, top and sides of the packing spaces.

**CellBlockEX** reusable fire-suppression pillows may be used as an alternative or in addition to loose-fill.



## ASSEMBLY DETAILS:

# ALUMINUM CASE: 50B OUTER PACKAGING

PRODUCT NO:

## CBSTC5845

For Groups:

I II III  
X Y Z



**50B/X/\* \*\* /USA/  
M6484/0/966**

\*\*\* Denotes month and year of manufacture

Up to a Gross Package Weight of:

**966 kg**  
2130 lbs.

Maximum Permitted Weight of Contents:

**738 kg**  
1627 lbs.

(Product, containers & CellBlockEX loose-fill and/or fire suppression pillows)

External Dimensions:

**1626 x 1168 x 719mm**  
64" x 46" x 28.3"

Internal Dimensions:

**1410 x 978 x 368 mm**  
55.5" x 38.5" x 14.5"



**NOTES:** SEE Special PACKAGING DETAILS and other information on reverse.



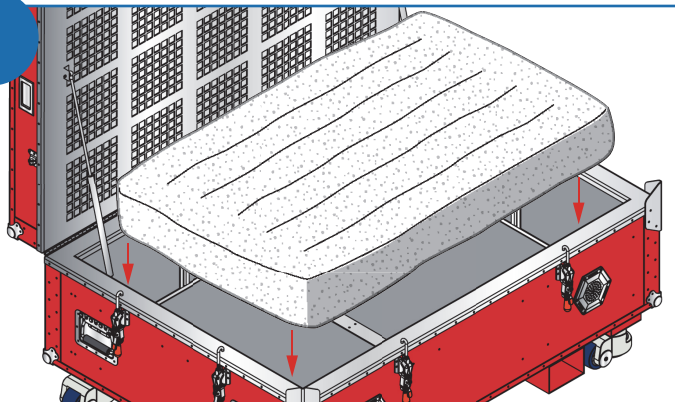
**CellBlockEX is Required** as an insulative cushioning filler of remaining available space and is available as loose-fill and in fire-suppression pillows.



# CellBlock 50B Aluminum Case using CellBlockEX Pillows

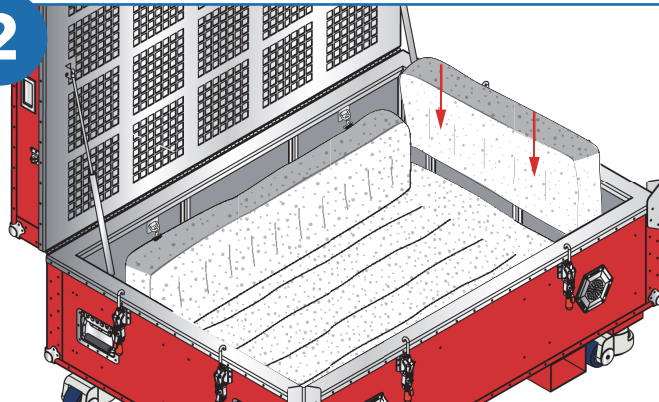
**i** Fire-suppression pillows provide a convenient means of shipping or storing single large format batteries.

1



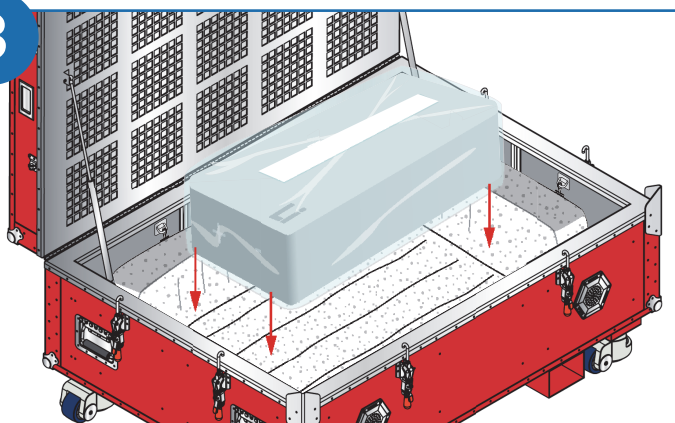
Install bottom fire-suppression pillow.

2



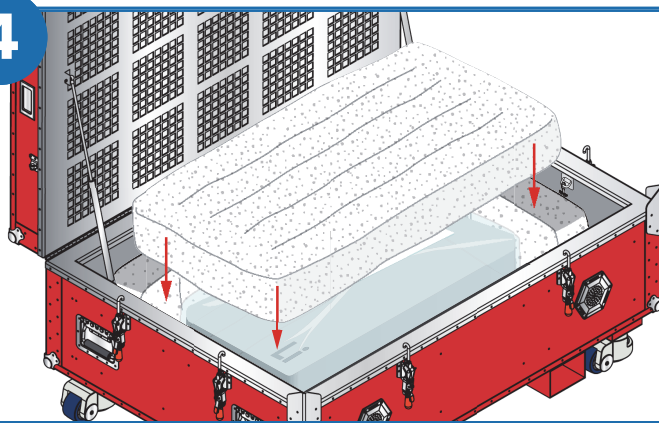
Install fire-suppression pillow on sides and ends by lowering into case and snapping in place with the provided snaps and d-rings.

3



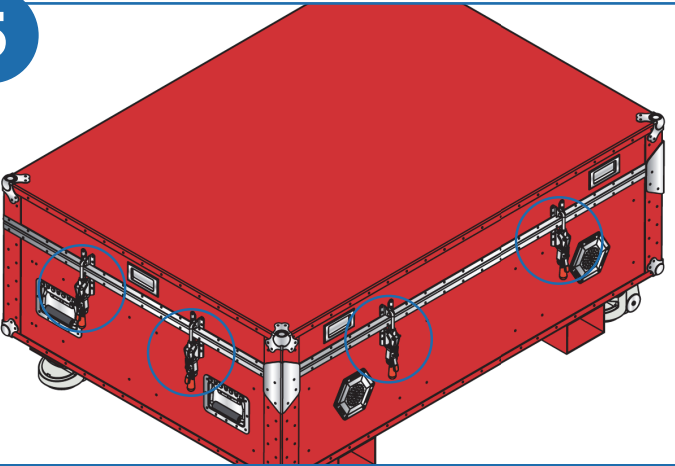
Enclose large format battery in a poly bag to keep free of loose-fill. Place large format battery in center of case. Take care not to tear the burn-away fabric.

4



Install top pillow.

5



Close and securely latch case



**It is the shippers responsibility to ensure appropriate regulations governing the transportation of dangerous goods are strictly followed.**

Our aluminum case is a special 50B outer packaging approved under UN Test criteria which allows transport of non-specified inner containers and their contents up to a stated maximum weight.

In aluminum 50B/X966 the maximum permitted weight of the inner containers and their product contents must not exceed 738 kilograms, whilst the gross package weight must not exceed 966 kilograms.

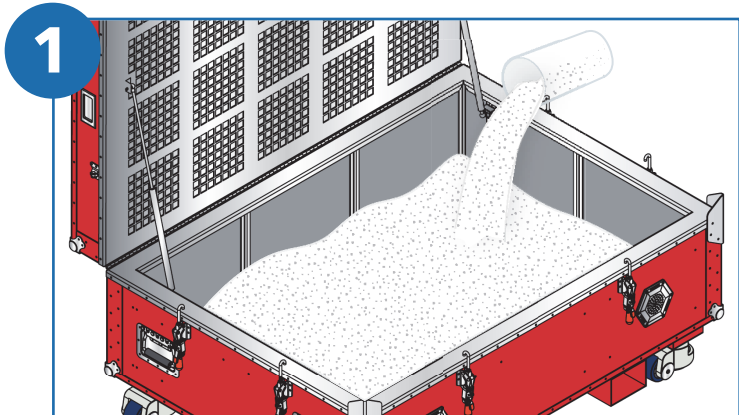
Aluminum 50B/X966 must be packed strictly as instructed and is then approved for the transportation of Packing Groups I, II, III, (X, Y, Z) Dangerous Goods.

**CLASS 1 EXPLOSIVES OR CLASS 7 RADIOACTIVES MUST NOT BE PACKED IN THIS BOX.**

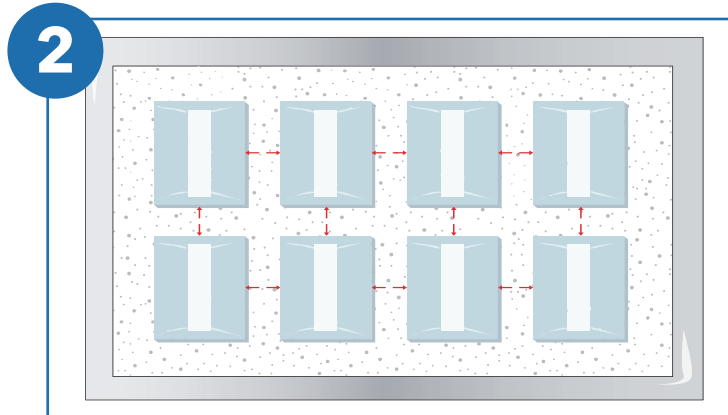
UPDATED 12/9/22

# CellBlock 50B Aluminum Case using CellBlockEX Loose-fill

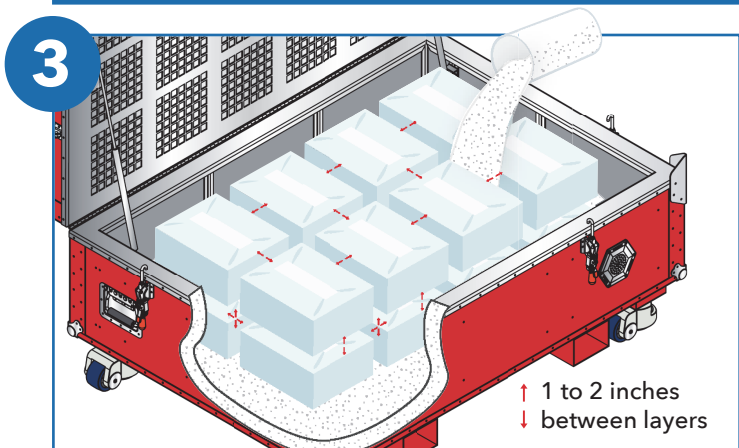
**i** The use of CellBlockEX loose-fill allows for numerous batteries to be shipped or stored in one container.



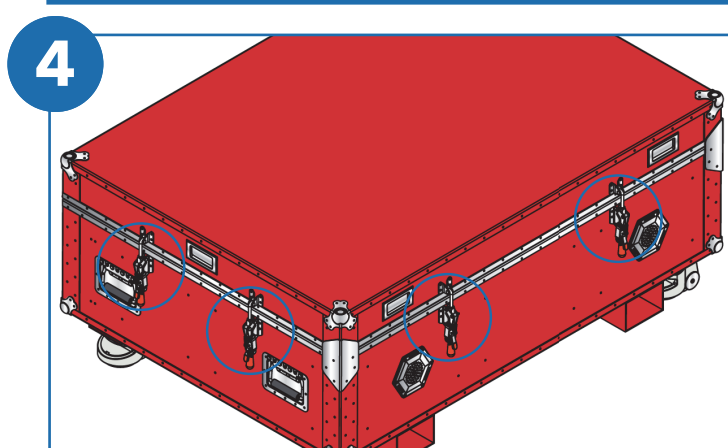
**1** Pour 2 to 4 inches of CellBlockEX loose-fill into the bottom of the case.



**2** Place batteries in the case, taking care to ensure proper spacing between articles. Top each layer with 1 to 2 inches of CellBlockEX loose-fill.



**3** Continue layering CellBlockEX loose-fill and batteries in the case. Finish by pouring loose-fill to within an inch of the top of the case.



**4** Close and securely latch case

**⚠** It is the shippers responsibility to ensure appropriate regulations governing the transportation of dangerous goods are strictly followed.

Our aluminum case is a special 50B outer packaging approved under UN Test criteria which allows transport of non-specified inner containers and their contents up to a stated maximum weight.

In aluminum 50B/X966 the maximum permitted weight of the inner containers and their product contents must not exceed 738 kilograms, whilst the gross package weight must not exceed 966 kilograms.

Aluminum 50B/X966 must be packed strictly as instructed and is then approved for the transportation of Packing Groups I, II, III, (X, Y, Z) Dangerous Goods.

**CLASS 1 EXPLOSIVES OR CLASS 7 RADIOACTIVES MUST NOT BE PACKED IN THIS BOX.**

UPDATED 12/9/22