

# SAFE CHARGE RACK

## QUICK USE GUIDE

### BEFORE YOU START



**The SAFE CHARGE RACK is SAFETY EQUIPMENT!**

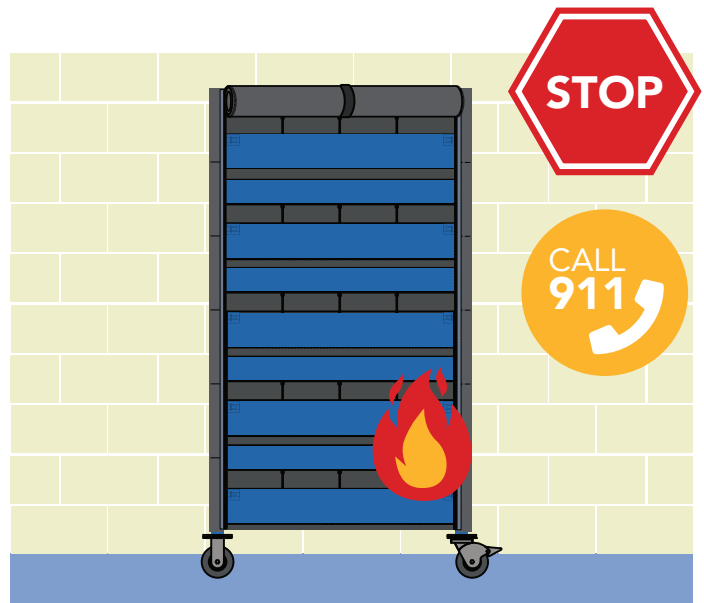
Please familiarize yourself with this guide and ensure that all staff are trained in the appropriate use and operation of the SAFE CHARGE RACK.

### EMERGENCY PROCEDURES

The presence of an electrical odor or strange chemical scent, the emission of smoke, or small popping sounds may indicate a potential thermal event. When any of these signs are observed, if it is safe to approach the rack, immediately secure the cover.

Do not approach if there are visible flames.

In the event of a thermal runaway follow your fire response procedures and alert 911.



#### SCAN ME

For more information and clean up procedures

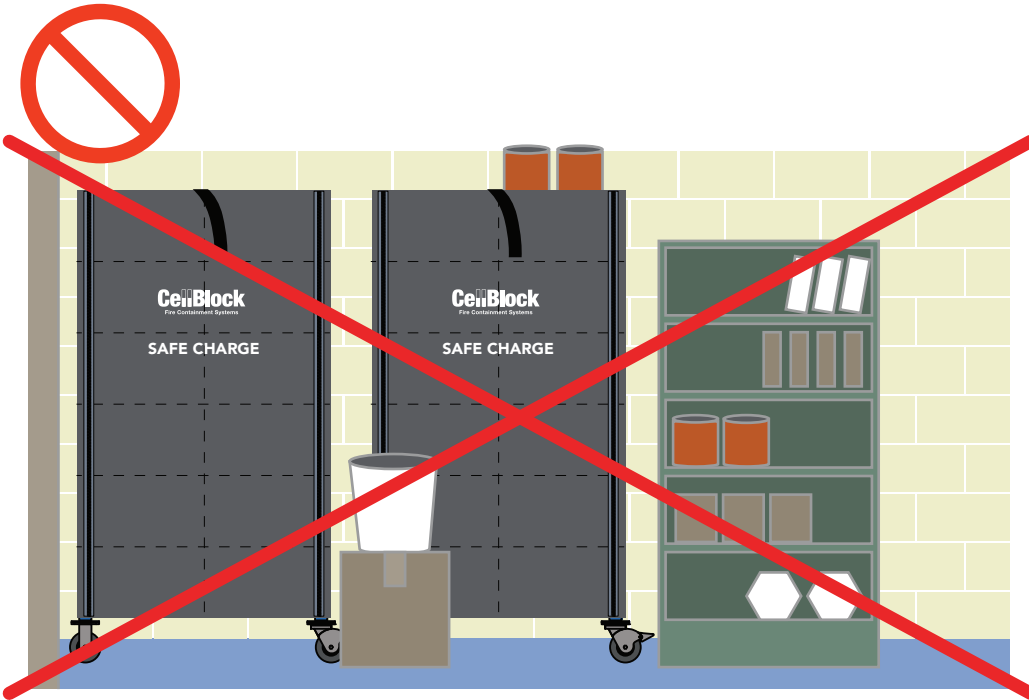
#### DISCLAIMER

The information contained in these procedures is for general information purposes only. The information is provided by CellBlock FCS, and while CellBlock FCS endeavors to keep the information up-to-date and accurate, CellBlock FCS makes no representations or warranties of any kind, express or implied, about the completeness, accuracy, reliability, suitability or availability with respect to these procedures for any purpose. In no event will CellBlock FCS be liable for any loss or damage including without limitation, indirect or consequential loss or damage, or any loss or damage whatsoever arising from the usage of these procedures.

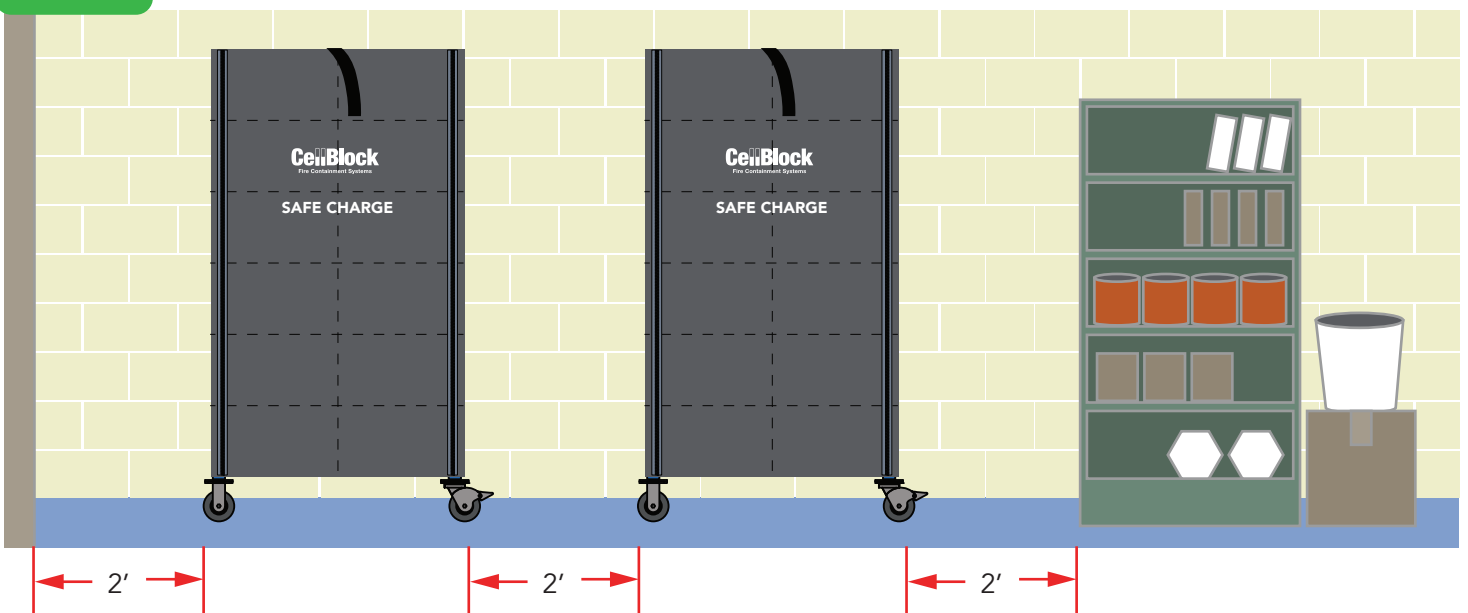
MCRv2.081423

# BATTERY RACK PLACEMENT

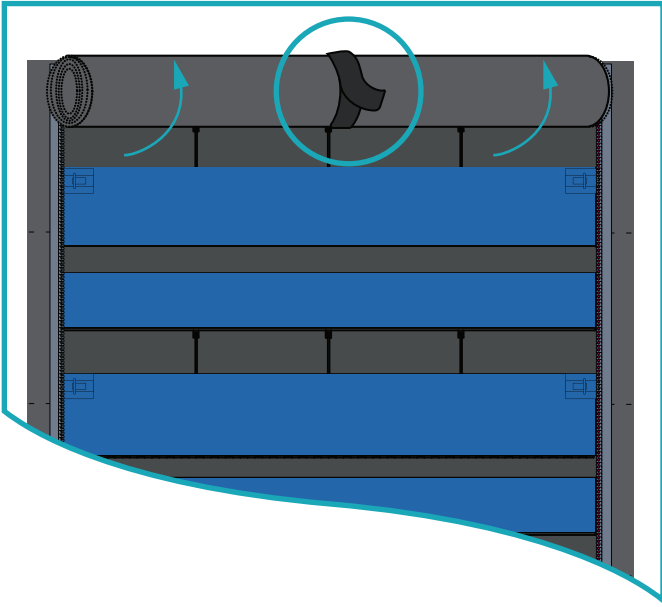
The Safe Charge Battery Rack was designed to maximize battery storage space, while also meeting safety requirements. Should a battery catch fire, flames may exit the rack. This is an intentional design to prevent the buildup of dangerous gases. Therefore a safe distance should be maintained between adjacent racks, as well as other materials.



- Maintain at least 2' of distance between racks and other combustible materials.
- Never place items on top of the rack.



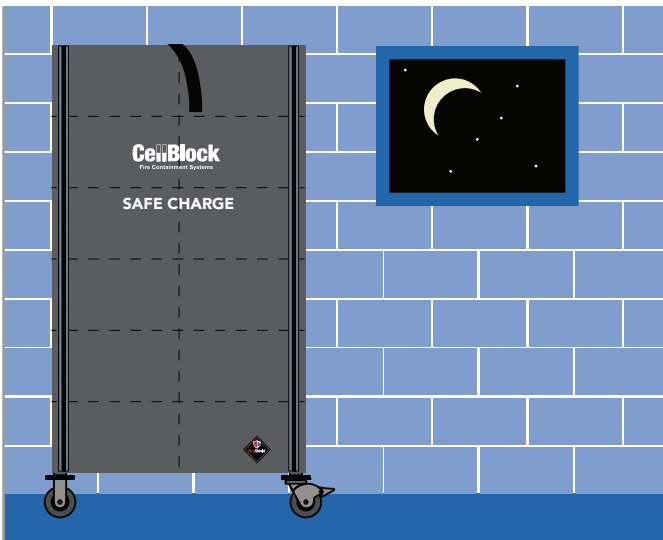
# FIRESHIELD COVER



- To access the battery rack, unzip the two front zippers and roll the flap up to the top. Secure with the provided 2" Velcro straps.
- The front flap should be re-secured whenever possible and **must be secured when the rack is unattended**. This will not impact the batteries during charging.
- It is permissible to leave the cover open provided that the rack is actively monitored. This allows for heat dissipation during charging.

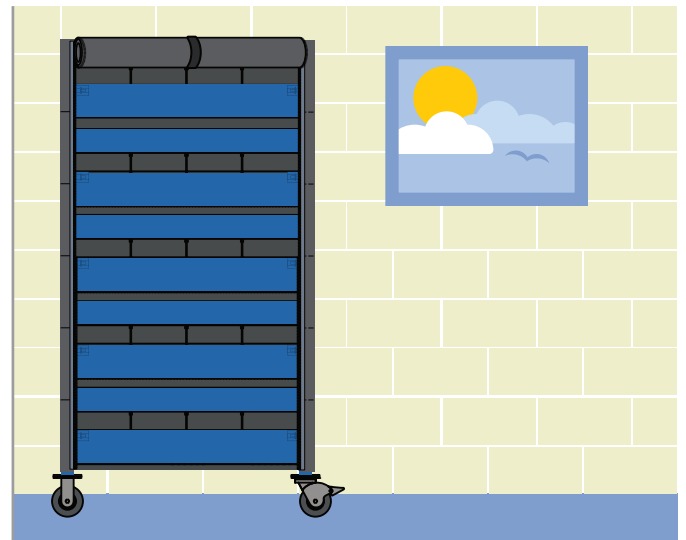
## Unmonitored Charging

Keep FireShield closed

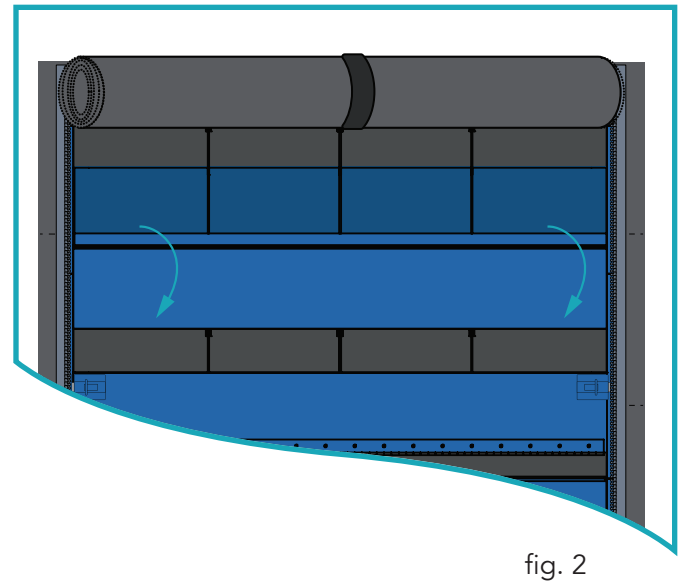
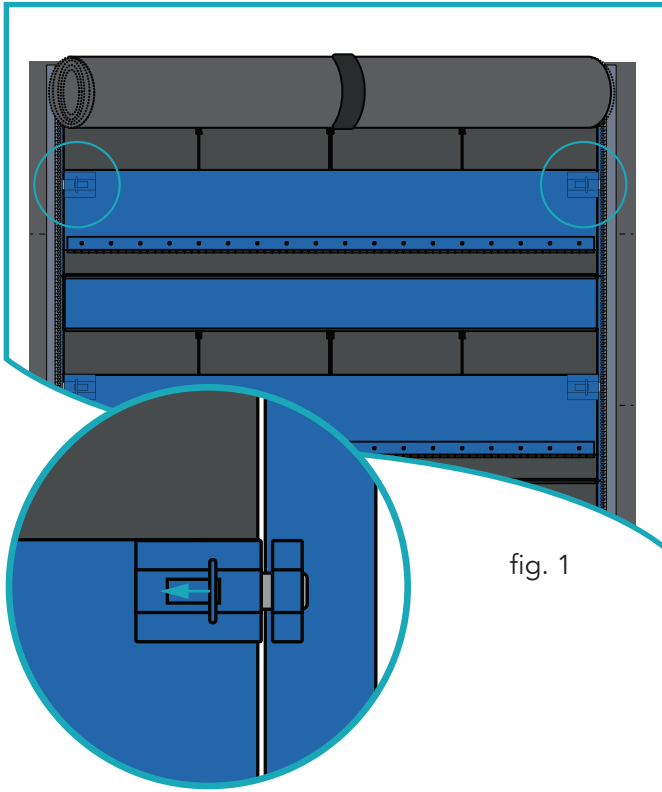


## Monitored Charging

FireShield may remain open



# CHARGING BATTERIES / APPROPRIATE SPACING



To access the individual charging bays, release the slide-bolt latch at either side of the front entry door (fig.1) and lower the door (fig. 2).

- Place only **ONE BATTERY PER BAY** and **NEVER DOUBLE STACK BATTERIES**.
- Do not place batteries against bay walls. Center the battery in the charging bay, allowing airspace on either side, front, and back.
- **KEEP FRONT ENTRY DOOR CLOSED** at all times. Open only to remove or replace batteries.



Take care to not puncture the bottom of the module shelves. Puncturing the bottom of a shelf will release the fire-suppression media.

