



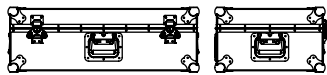
Small Cases CBSTC020 + CBSTC030

3+4 kWh
ECR



CBSTC020 3 KWH ECR

EXT: 20.7" x 18" x 10.5"h (52.6 x 45.7 x 26.7cm)
INT: 16.3" x 13" x 5.9"h (41.4 x 33 x 15 cm)
TARE WT: 39.9 lbs (18.1 kg)



CBSTC030 4 KWH ECR

EXT: 30.7" x 18" x 10.5"h (78 x 45.7 x 26.7 cm)
INT: 26" x 13" x 5.9"h (66 x 33 x 15 cm)
TARE WT: 58 lbs (26.3 kg)

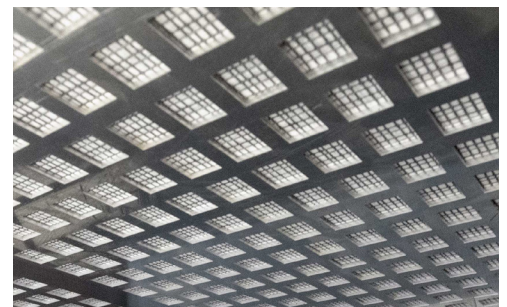


Tested beyond compliance. We subject our cases to "worst-case scenario" testing.

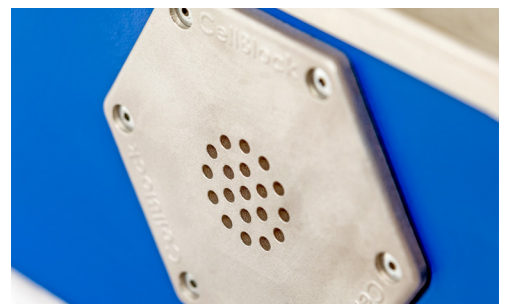
Tested and Proven Protection Durable and Safe Battery Storage and Shipping

Conveniently sized CellBlock Cases were designed for the safe storage and compliant transportation of multiple small power cells, tool batteries, drone batteries, and more. These durable lithium battery shipping boxes offer the absolute maximum protection against lithium-ion thermal events with 360° fire suppression coverage for all of its contents. They can withstand extreme temperatures and can even be used to transport DDR batteries (damaged, defective, or recalled) by land or sea.

- ✓ Sized for tool, drone, and other speciality batteries
- ✓ Patented FCP Technology
- ✓ Thermal and ballistic protection
- ✓ Safe and compliant transportation of batteries, including damaged, defective, and prototype
- ✓ CellBlockEX® Deployment
- ✓ UN rated and Special Permits 20549 and 21442 authorized
- ✓ Optional Fire Suppression Pillows
- ✓ Safe on-site storage of batteries

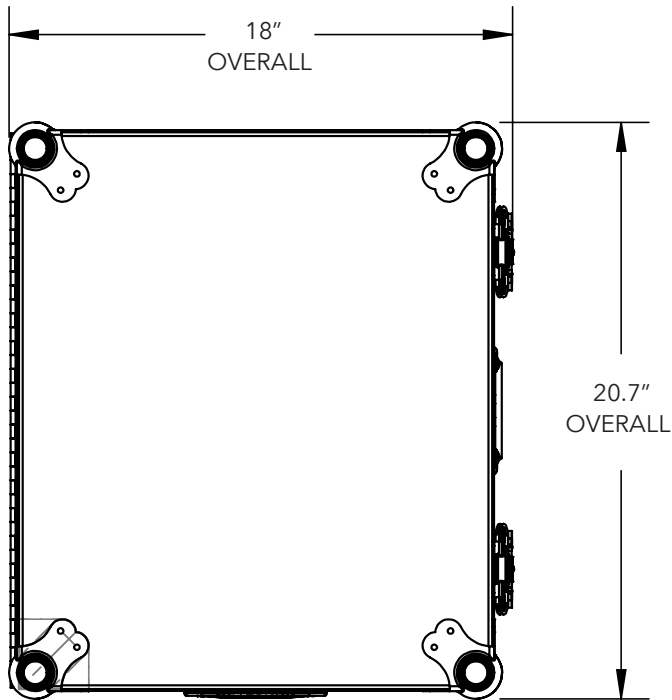
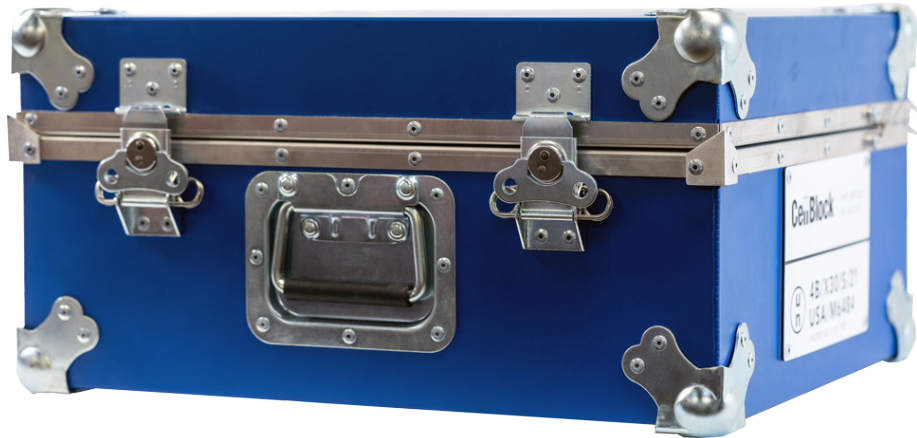


Effective suppression with a self-deployed extinguishing system featuring **CellBlockEX Technology**

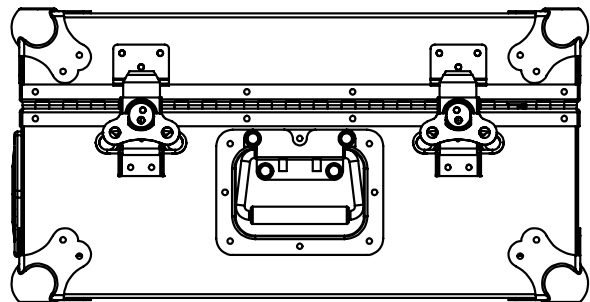
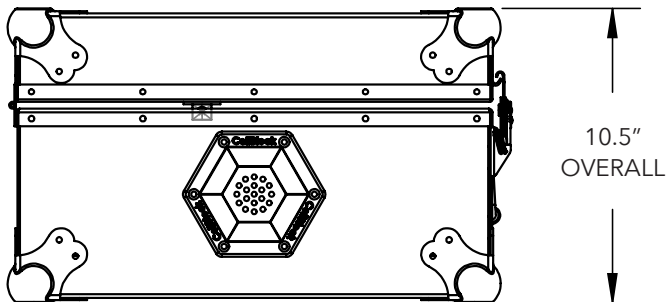


Gas Mitigation System effectively releases pressure caused by the thermal degeneration of batteries.

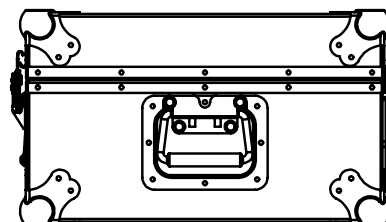
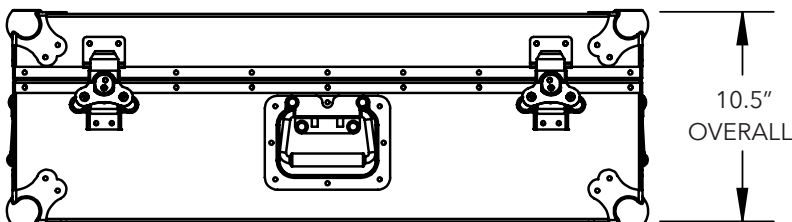
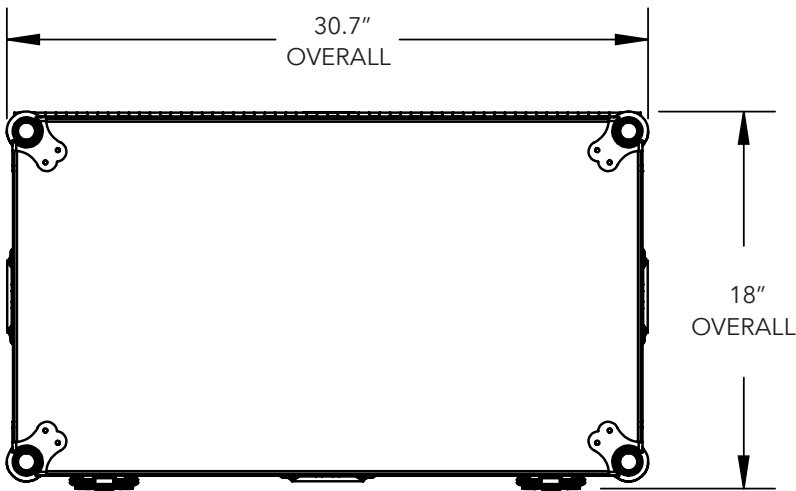
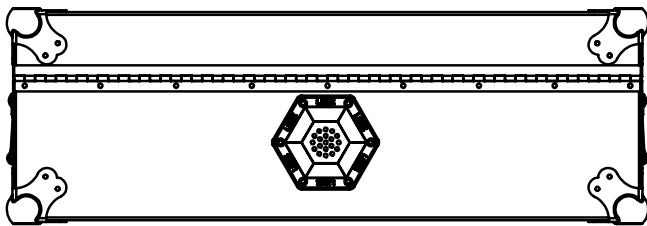
CBSTC020 SPECIFICATIONS



| | |
|----------------------------|--|
| UN Mark | 4B/X67/S/**/USA/M6484 ** year of manufacture |
| Exterior Dimensions | 20.7" x 18" x 10.5"h 52.6cm x 45.7cm x 26.7cm |
| Interior Dimensions | 16.3" x 13" x 5.9"h 41.4cm x 33cm x 15cm |
| Tare Weight | 39.9 lbs 18.1 kg |
| Max. Content Weight | 107.8 lbs max. 48.9 kg max. |
| Gross Weight Limit | 147.7 lbs max. 67 kg max. |



CBSTC030 SPECIFICATIONS



| | |
|----------------------------|--|
| UN Mark | 4B/X100/S/**/USA/M6484 ** year of manufacture |
| Exterior Dimensions | 30.7" x 18" x 10.5"h 78cm x 45.7cm x 26.7cm |
| Interior Dimensions | 26" x 13" x 5.9"h 66cm x 33cm x 15cm |
| Tare Weight | 58 lbs 26.3 kg |
| Max. Content Weight | 162.5 lbs max. 73.7 kg max. |
| Gross Weight Limit | 220.5 lbs max. 100 kg max. |